

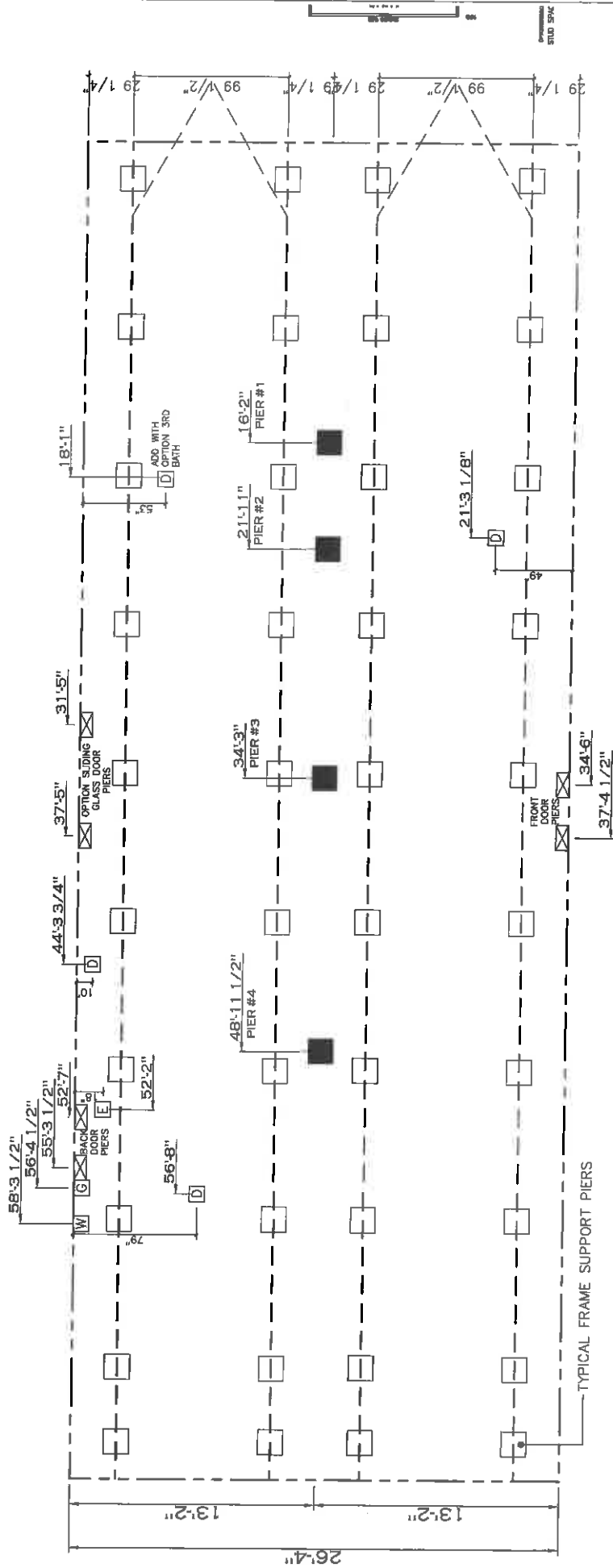
20 lb Roof Load		30 psf Roof Live Load		40 psf Roof Live Load	
Column Pier #	Distance from Hitch (lbs)	Column Pier #	Distance from Hitch (lbs)	Column Pier #	Distance from Hitch (lbs)
1	16.167	1	16.167	1	16.167
2	21.917	2	21.917	2	21.917
3	34.25	3	34.25	3	34.25
4	48.959	4	48.959	4	48.959

30 psf Roof Live Load		40 psf Roof Live Load	
Column Pier #	Pier Load (lbs)	Column Pier #	Pier Load (lbs)
1	1536	1	2968
2	1536	2	2968
3	3305	3	5327
4	3305	4	5327

40 psf Roof Live Load		30 psf Roof Live Load	
Column Pier #	Pier Load (lbs)	Column Pier #	Pier Load (lbs)
1	1536	1	2968
2	1536	2	2968
3	3305	3	5327
4	3305	4	5327

20 lb ROOF LOAD SIDEWALL OPENING PIER LOAD 28' BOX WIDTH	SIDEWALL OPENING (FT)			
	3	4	5	6
	1175	1330	1485	1640
	1950	2260		

*FOR 30 lb & 40 lb ROOF LOAD REFER TO TABLES 7b & 7c IN THE INSTALLATION MANUAL.



- GENERAL NOTES:
- PIER LOADS SHOWN ARE TO BE USED TO SIZE THE FOOTINGS BELOW THE MARRIAGEWALL FOR COLUMN SUPPORT PIERS. REFER TO TABLES 6b AND 6c IN THE INSTALLATION MANUAL FOR LOAD ON FRAME PIER FOOTINGS FOR HOMES THAT DO NOT REQUIRE PERIMETER BLOCKING. REFER TO TABLES 7b AND 7c IN THE INSTALLATION MANUAL FOR LOAD ON FRAME PIER FOOTINGS THAT REQUIRE PERIMETER BLOCKING. REFER TO TABLES 10 AND 10a TO DETERMINE FOOTING SIZE FOR ALL PIERS.
 - REFER TO TABLE 9 FOR PIER CONFIGURATION AND MAXIMUM ALLOWABLE HEIGHTS. CROSS REFERENCE THE PIER HEIGHT WITH THE MAXIMUM ALLOWABLE FLOOR HEIGHT LISTED IN THE FRAME TIEDOWN CHARTS (TABLE 18, 19, AND 20). FLOOR WIDTH SHOWN IS FOR STANDARD PRODUCT ONLY. CONTACT THE MFG PLANT FOR SPECIFICATIONS OF OPTIONS ORDERED.
 - SERVICE DROP LOCATIONS IDENTIFIED ARE APPROXIMATE. THE MAXIMUM SPACING FOR FRAME SUPPORT PIERS FOR 8" I-BEAMS IS 8 FEET, 10" & 12" I-BEAMS ARE 10 FEET.

PIER LEGEND	
□	= SUPPORT UNDER MATING OPENING
■	= SUPPORT AT MATING COLUMN
▨	= SUPPORT UNDER MATING WALL
▩	= PIER PORCH/ACCESSORY ENTRY
□	= PIER MAIN BEAM
▭	= PIER PERIMETER
●	= TIE-DOWN SUPPORT (OTY PER TEL M, SEE DETAIL D-6 IN FOUND. PKG.)

SERVICE DROP LEGEND	
E	= ELECTRICAL DROP
W	= WATER INLET
D	= DWV PLUMBING DROP
G	= GAS INLET

1896 SQ. FT. (STD. PLAN "CONDITIONED")
 N/A SQ. FT. (W/OPT. PORCH/RECESS "CONDITIONED")

CMH
 Manufacturing

Model # SUT20724A
 Date: 01/14/14
 Designer: JDC

28' X 72' SOLUTION

Product De- gner: JDC

1/16/16 JDC

PIER LOADS