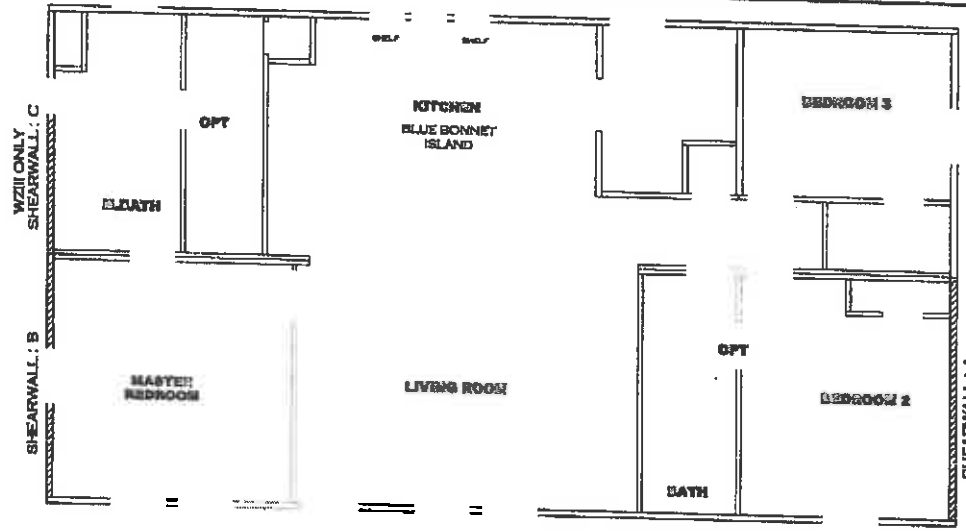


MODEL# SLT28483B
DRAWING# 38M160

APPROVED **REVISED** **APPROVED**
23 JUN 2020
FP-28-5369
 Federal Manufactured
 Home Construction
 And Safety Standards



Model # 388180
 Box Width = 158" Double wide
 Box Length = 48 ft. 88.5" 10" MIN/BEAM
 No Skylights
 No Porches
 Jolt Size = #2 sp 2x6 Legs 9x6x2"
 Minimum Joist Spacing 18"
 No Offset Box
 No Clerestory
 No Origanl Dormer
 No Sunken Floor
 No Parapet Roof
 Designed By: JOC
 6/23/2020

Version R13.13

* Denotes that indicated shearwall is over full depth/width front steel chassis header.

Wind Zone 1 Standard Roof
 Ceiling board only (182 plf) Chords: 2x4 SPF #3
 Top Plate spliced w/ 2x4 MCP & 1x6 SPF Rail
 Diaphragm Construction: spliced w/ 12" glue block. 98 inch sidewall

Shearwall	Dist./ Hitch	Length	PLF	# of Joists	Legs	Notes
A	0'	108"	182	2	2/1	*
B	48'	108"	182	2	2/1	

Wind Zone 2 Standard Roof
 (187 plf) Chords: 2x4 SPF #3 Top Plate spliced
 w/ 2x4 MCP & 1x6 SPF Rail spliced w/ 12" glue
 block. 96 inch sidewall

Shearwall	Dist./ Hitch	Length	PLF	# of Joists	Legs	Notes
A	0'	112"	425	2	4/3	*
B	48'	FLD	425	2	3/3	

Wind Zone 3 Standard Roof
 (187 plf) Chords: 2x4 SPF #3 Top Plate spliced
 w/ 2x4 MCP & 1x6 SPF Rail spliced w/ 12" glue
 block. 98 inch sidewall

Shearwall	Dist./ Hitch	Length	PLF	# of Joists	Legs	Notes
A	0'	129"	425	2	4/3	*
B	48'	FLD	425	2	3/3	

Model # 388180 OPT
 Box Width = 158" Double wide
 Box Length = 48 ft. 88.5" 10" MIN/BEAM
 No Skylights
 No Porches
 Jolt Size = #2 sp 2x6 Legs 9x6x2"
 Minimum Joist Spacing 16"
 No Offset Box
 No Clerestory
 No Origanl Dormer
 No Sunken Floor
 No Parapet Roof
 Designed By: JOC
 6/23/2020

Version R13.13

* Denotes that indicated shearwall is over full depth/width front steel chassis header.

Wind Zone 1 Standard Roof
 Ceiling board only (182 plf) Chords: 2x4 SPF #3
 Top Plate spliced w/ 2x4 MCP & 1x6 SPF Rail
 Diaphragm Construction: spliced w/ 12" glue block. 98 inch sidewall

Shearwall	Dist./ Hitch	Length	PLF	# of Joists	Legs	Notes	SW1/SW2
A	0'	108"	182	2	2/1	*	
Bopt	48'	118"	182	2	2/2	Split Shearwall	58/98

Wind Zone 2 Standard Roof
 (187 plf) Chords: 2x4 SPF #3 Top Plate spliced
 w/ 2x4 MCP & 1x6 SPF Rail spliced w/ 12" glue
 block. 98 inch sidewall

Shearwall	Dist./ Hitch	Length	PLF	# of Joists	Legs	Notes	SW1/SW2
A	0'	112"	425	2	4/3	*	
Bopt	48'	118"	425	2	4/4	Split Shearwall	58/58

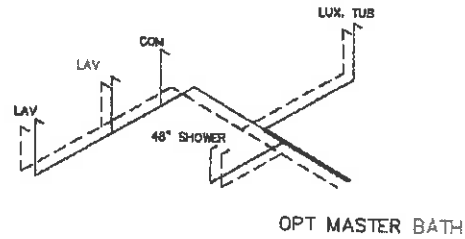
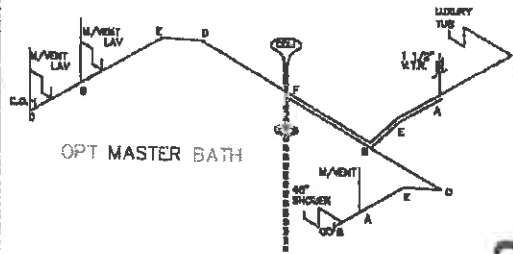
Wind Zone 3 Standard Roof
 (187 plf) Chords: 2x4 SPF #3 Top Plate spliced
 w/ 2x4 MCP & 1x6 SPF Rail spliced w/ 12" glue
 block. 98 inch sidewall

Shearwall	Dist./ Hitch	Length	PLF	# of Joists	Legs	Notes	SW1/SW2
A	0'	28"	182	2	1/1	*	
Bopt	0'	118"	425	2	4/4	Split Shearwall *	58/58
C	48'	128"	425	3	4/3		45.45

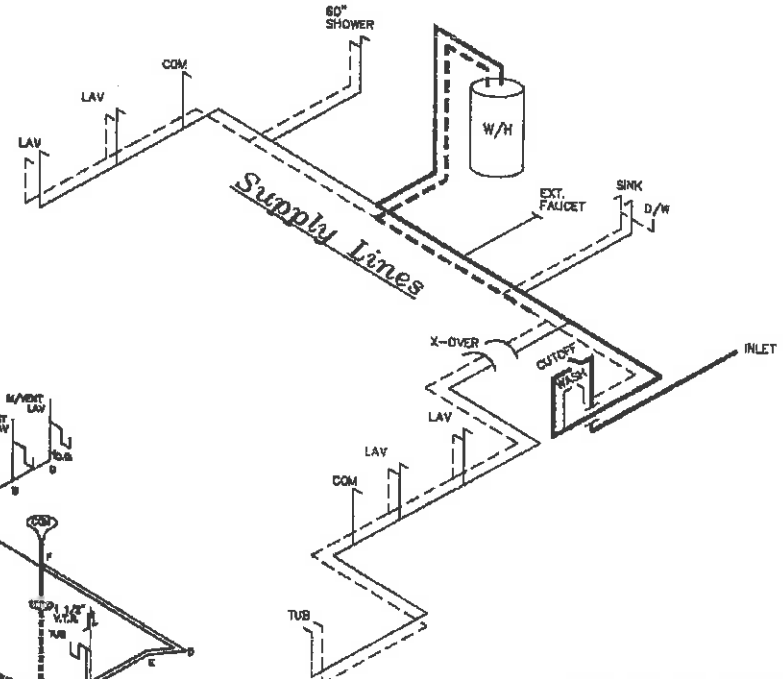
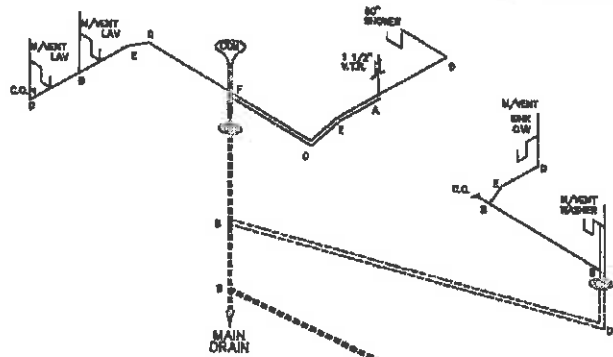
SQ.FT. (STD PLAN "CONDITIONED")		SQ.FT. (W/OPT. PORCH/RECESS "CONDITIONED")	
CMH		Model # 012804088	Drawing #
MANUFACTURING		Date: 6/20/20	Scale: N.T.S.
Product Design: BF		3.6M GO	
		28' x 48'	

NOTE:
 DASHED LINES INDICATES HOT WATER
 SOLID LINES INDICATES COLD WATER

———— = 3/4"
 ———— = 1/2"



APPROVED **HWC** **APPROVED**
 REVISED
 23 JUN 2020
 FP-28-5369
 Federal Manufactured
 Home Construction
 And Safety Standards



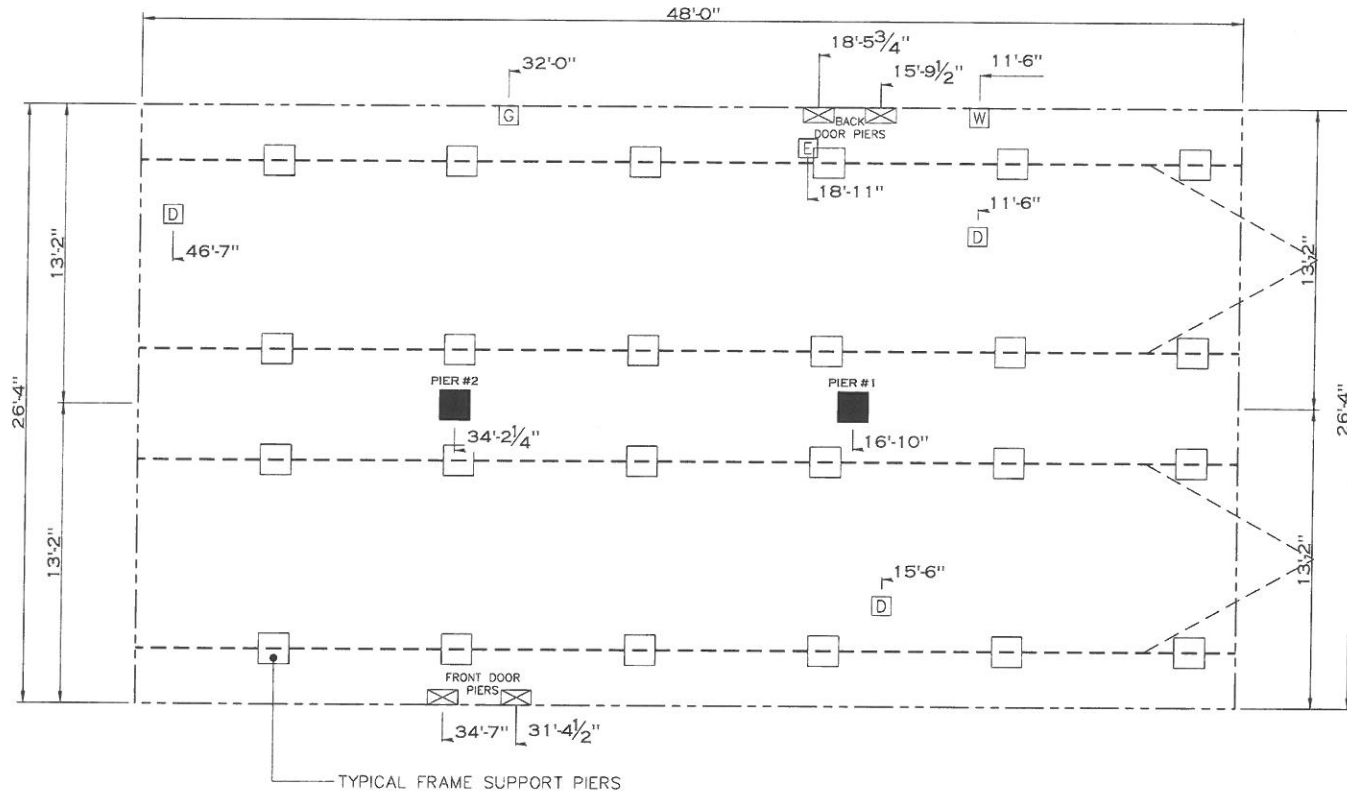
LEGEND	
A	SPRINT URN L-Y
B	LONG TUB L-Y
C	1/4 BEND
D	LONG SWEEP 1/4 TURN
E	45 EL
F	90 SANITARY TEE
G	45 CLOSST EL
H	DOUBLE EL
I	22 1/2 EL
J	45 Y
K	LONG TURN STREET ELBOW

DWV LINE SIZE CHART	
————	= 3"
————	= 2"
————	= 1 1/2"

CMH MANUFACTURERS Product Designer: DF	Model #: SLT28405B Date: 5/20/20	Drawing #: 38M1 GO
	SQ.FT. (STD PLAN "CONDITIONED") SQ.FT. (W/OPT. PORCH/RECESS "CONDITIONED") Scale: N.T.S.	
28' x 48'		
DWV LINES		

20 lb ROOF LOAD SIDEWALL OPENING PIER LOAD 28' BOX WIDTH	SIDEWALL OPENING (FT)					
	REQUIRED PIER LOAD (LBS)					
	3	4	5	6	8	10
	1175	1330	1485	1640	1950	2260

*FOR 30 lb & 40 lb ROOF LOAD REFER TO TABLES 7b & 7c IN THE INSTALLATION MANUAL.



PIER LEGEND	
	SUPPORT UNDER MATING OPENING
	SUPPORT UNDER MATING COLUMN
	SUPPORT UNDER MATING WALL
	PIER PORCH/RECESSED ENTRY
	PIER MAIN BEAM
	PIER PERIMETER
	TE-DOWN SUPPORT (QTY PER BEAM, SEE DETAIL B-6 IN FOUND. PKG.)

SERVICE DROP LEGEND	
	ELECTRICAL DROP
	WATER INLET
	DWV PLUMBING DROP
	GAS INLET

20 psf Roof Live Load		
Column Pier #	Distance from Hitch	Pier Load (lbs)
1	16.833	3828
2	34.188	3828

30 psf Roof Live Load		
Column Pier #	Distance from Hitch	Pier Load (lbs)
1	16.833	6023
2	34.188	6023

40 psf Roof Live Load		
Column Pier #	Distance from Hitch	Pier Load (lbs)
1	16.833	7429
2	34.188	7429

1264 SQ. FT. (STD PLAN "CONDITIONED")

CMH MANUFACTURING Product Designer: DF	Model #: S120-403D	Drawing #:
	Date/Rev: (RD)	Scale: N.T.S.
28' x 48' RENEGADE		
PIER LAYOUT		